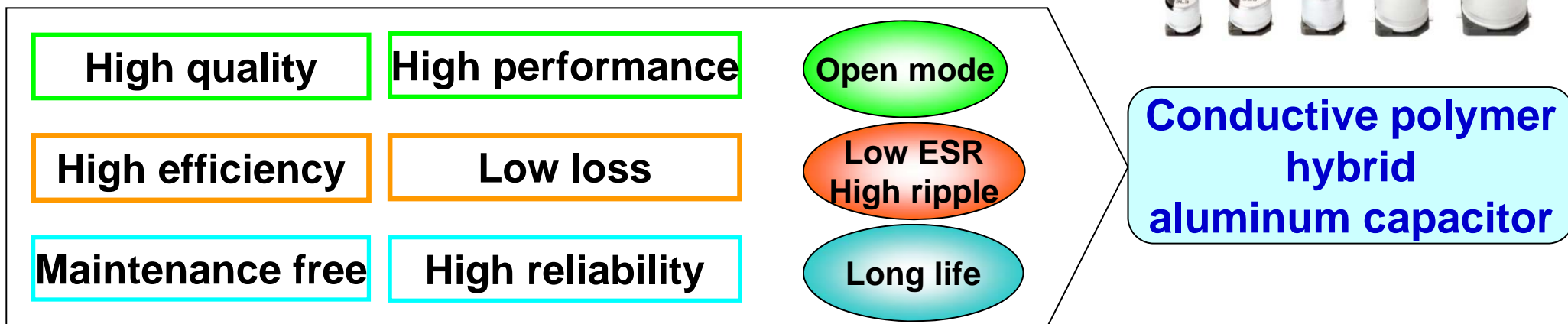


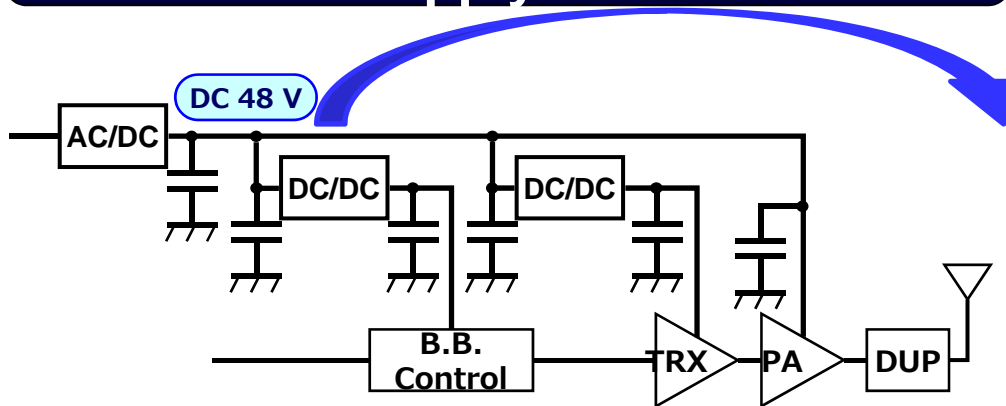
Case Study :3-1

Contribution to miniaturization / reduction for base station power supply

◆ Panasonic proposal to base station





◆ Proposed case : Power supply for base station



High performance/Miniaturization

(Contribution to set miniaturization)

	AC/DC OUTPUT, DC/DC INPUT 48V Line	
Capacitors	AL capacitor	Hybrid capacitor ZA series
Item	Φ12.5x13.5mm,63V,220μF x4 pcs.  EEEFK1J221AQ	Φ6.3x7.7mm,63V,22μF x2 pcs.  EEHZA1J220XP
Mounting area	100 % (832 mm ²)	13 % (108 mm ²)
Height	100 % (13.5 mm)	57 % (7.7 mm)
Total ESR	30 mΩ (100 kHz)	12 mΩ (100 kHz)
Endurance	105 °C, 5000 h	105 °C, 10000 h
Total Ripple	3200mA (100kHz,105 °C)	3000mA (100kHz,105 °C)