

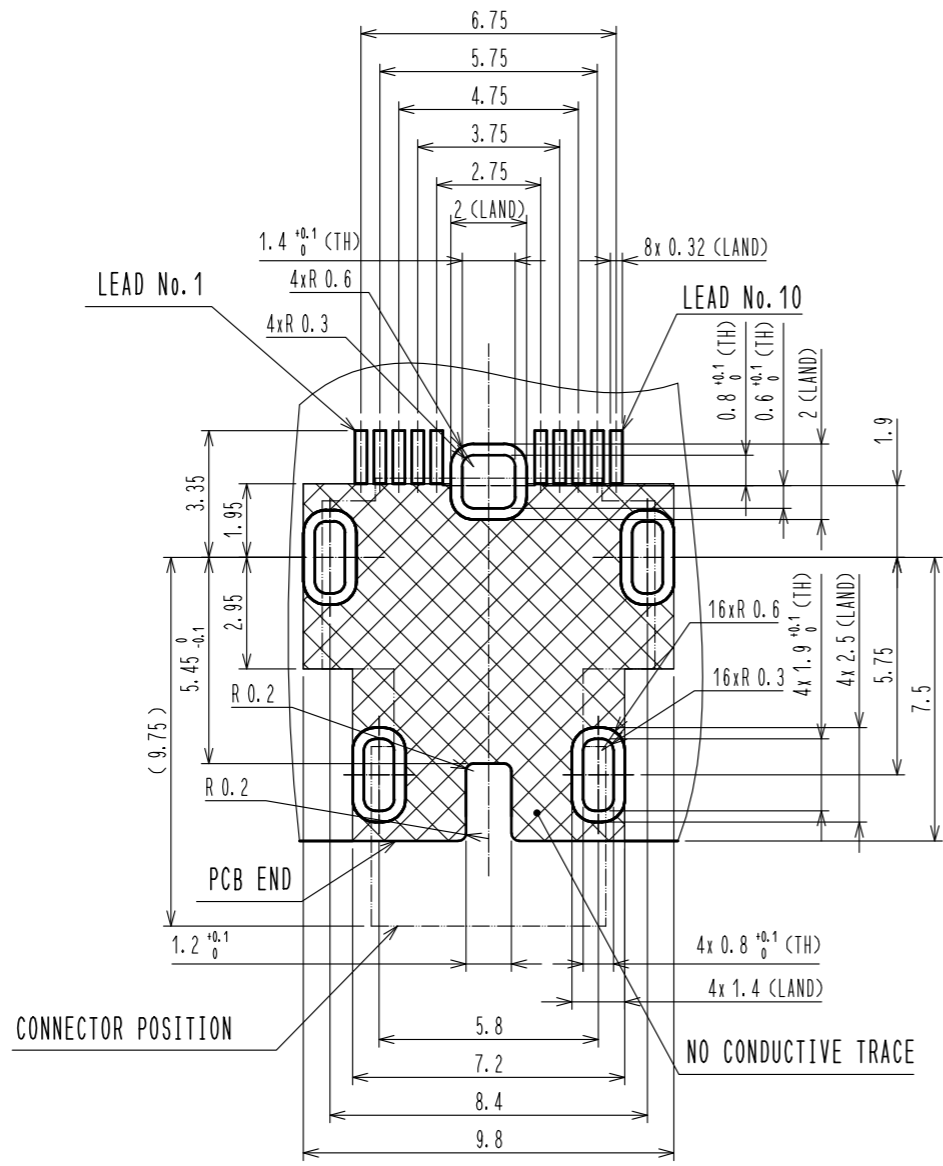
Notes 1 Per reel : 400 pcs.  
 2 This product is a base development product, and its shape may be changed during mass production.

| 2   | LCP          | Black. UL94V-0  | 6   | PE              |   |
|-----|--------------|---|-----|-----------------|---|
| 1A  | Copper alloy | Contact area : Gold 0.2 μm min.<br>Lead area : Gold 0.03 μm min.<br>Under plating : Nickel 1.27 μm min. | 5   | PS              |   |
| 1   | LCP          | Black. UL94V-0  | 4   | Stainless steel |   |
|     |              |   | 3   | Stainless steel | Over plating : Tin 1 μm min.  |
|     |              |   | 2A  | Copper alloy    | Contact area : Gold 0.2 μm min.<br>Lead area : Gold 0.03 μm min.<br>Under plating : Nickel 1.27 μm min. |
| NO. | MATERIAL     | FINISH . REMARKS  | NO. | MATERIAL        | FINISH . REMARKS  |

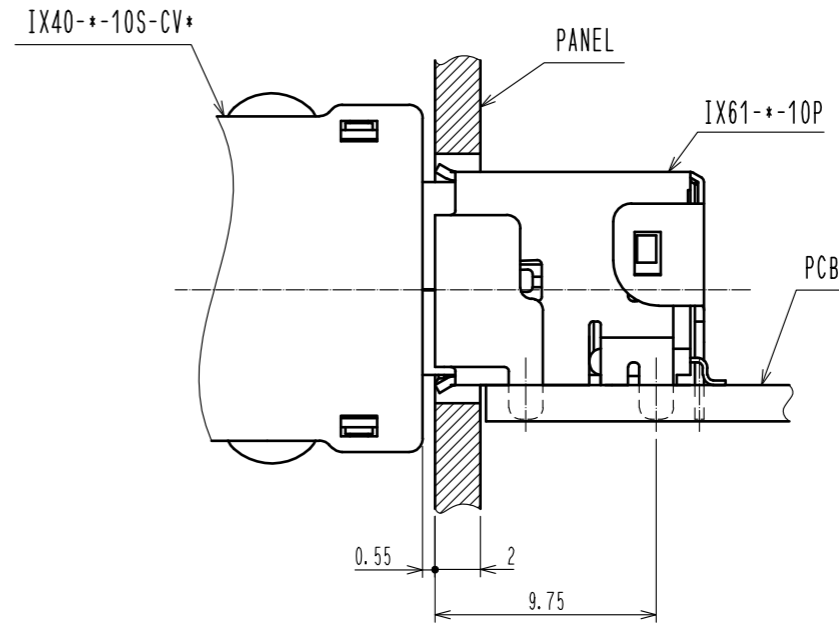
|                                      |  |                         |           |                          |                |         |      |
|--------------------------------------|--|-------------------------|-----------|--------------------------|----------------|---------|------|
| UNITS<br>mm                          |  | SCALE<br>5 : 1          | COUNT<br> | DESCRIPTION OF REVISIONS | DESIGNED       | CHECKED | DATE |
| <b>HRS</b> HIROSE ELECTRIC CO., LTD. |  | APPROVED : RI. TAKAYASU | 17.02.01  | DRAWING NO.              | TEDC-301076-00 |         |      |
|                                      |  | CHECKED : KI. NAGANUMA  | 17.01.31  | PART NO.                 | IX61-A-10P     |         |      |
|                                      |  | DESIGNED : YS. SAKODA   | 17.01.31  | CODE NO.                 | 251            |         |      |
|                                      |  | DRAWN : YS. SAKODA      | 17.01.31  |                          |                |         |      |

REFERENCE PCB LAYOUT(CONNECTOR MOUNTING SURFACE) (t = 1.6)

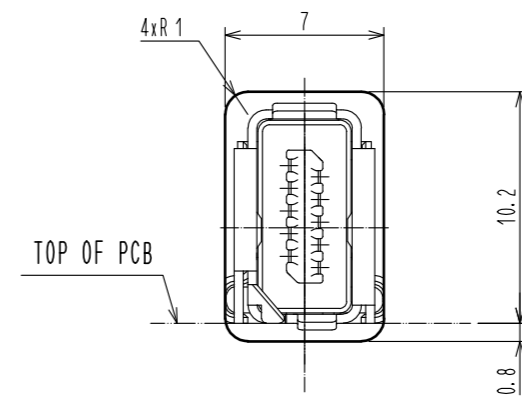


General tolerance is +/- 0.05.

MATED CONDITION(FREE)



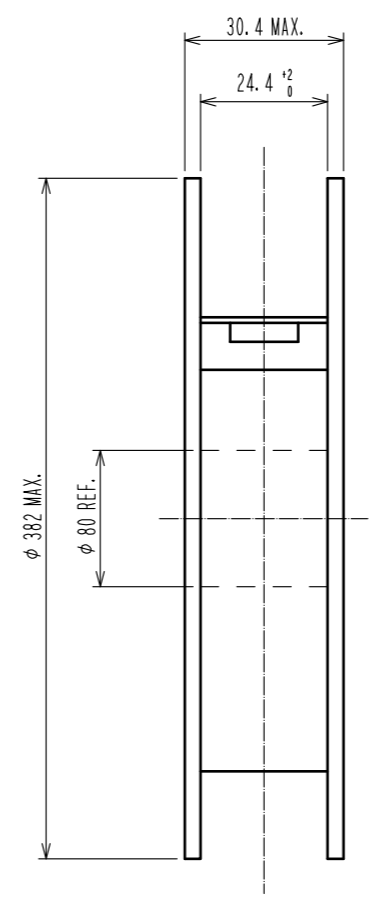
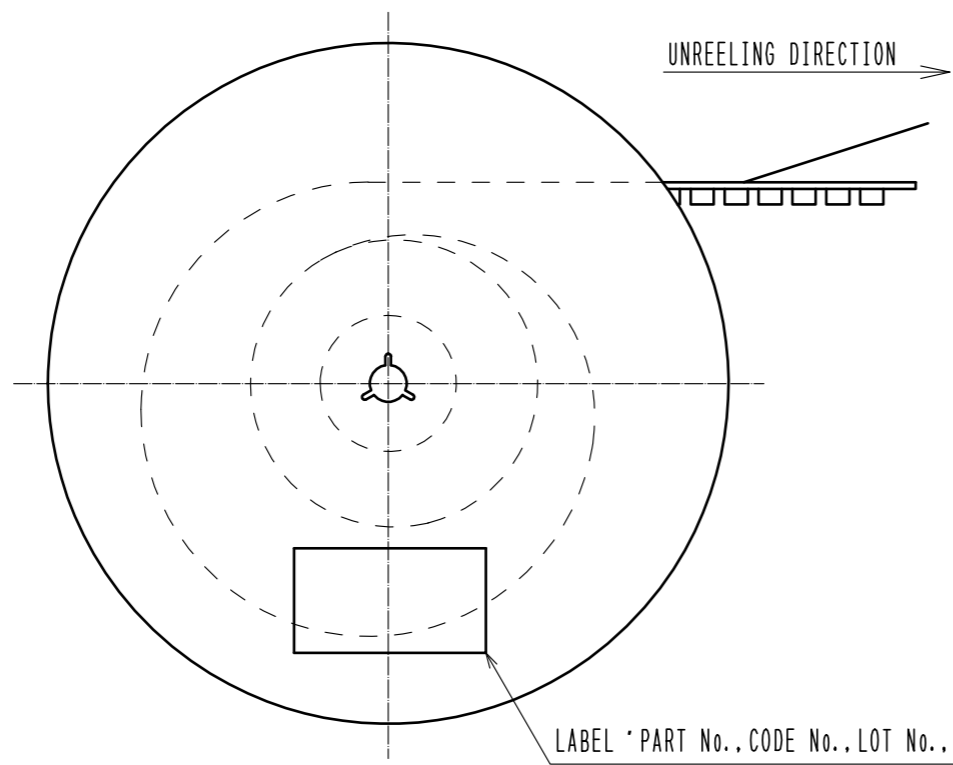
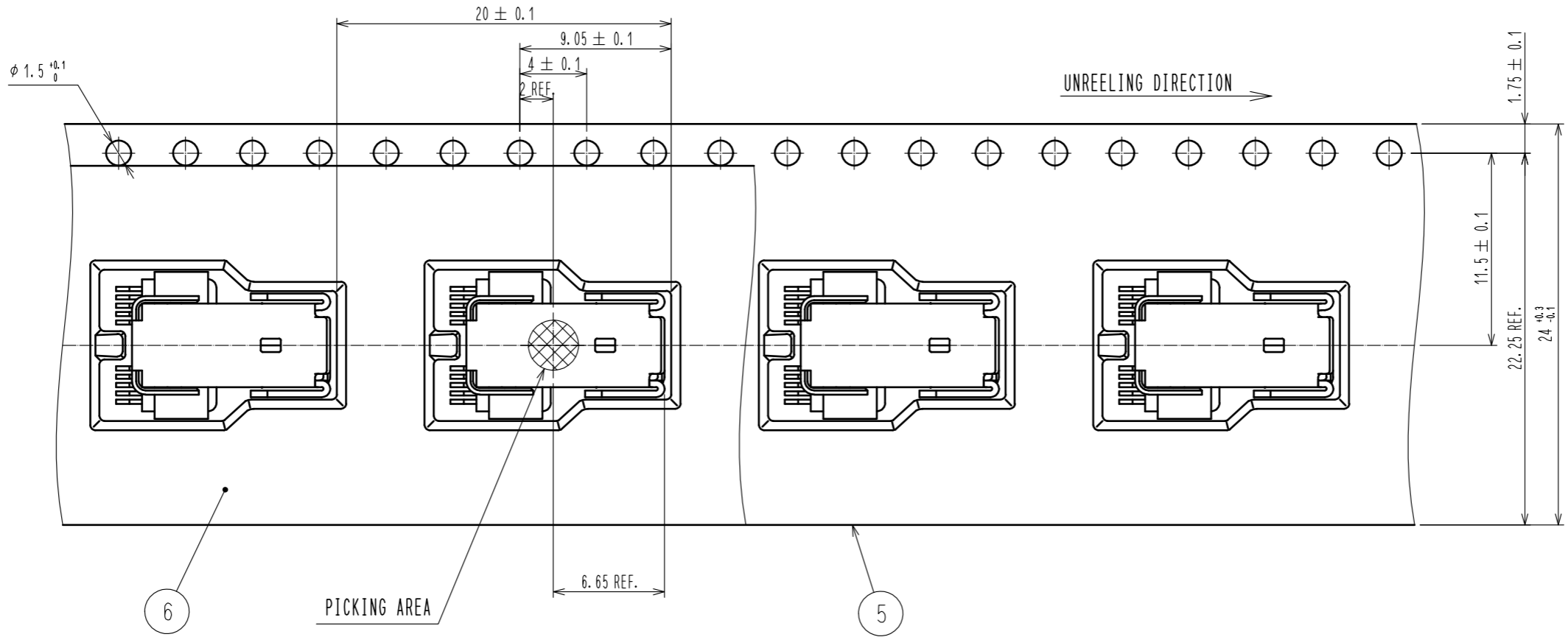
REFERENCE DIMENSIONS OF PANEL CUT OUT(FREE)



Dimensions are for reference only.

|            |             |                |
|------------|-------------|----------------|
| <b>HRS</b> | DRAWING NO. | TEDC-301076-00 |
|            | PART NO.    | IX61-A-10P     |
|            | CODE NO.    | 251            |
|            |             | 2/3            |

1 DRAWING FOR PACKING(FREE)



|            |             |                 |
|------------|-------------|-----------------|
| <b>HRS</b> | DRAWING NO. | TEDC-301076-00  |
|            | PART NO.    | IX61-A-10P      |
|            | CODE NO.    | 251             |
|            |             | $\triangle$ 3/3 |