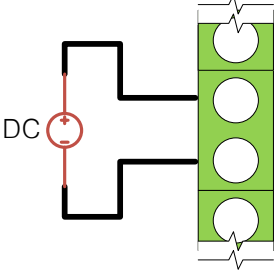
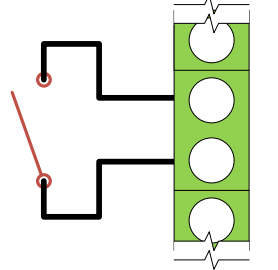


## Dry Contact Adapter for CIE-H10 (DCA) V1.0

- This Dry Contact Adapter (DCA) supplies a function to change CIE-H10's digital input ports to dry contact interface (relay or switch).

	Without DCA	With DCA
Input Condition	1: over DC1.8V between the input ports 0: under DC1.5V between the input ports	1: two ports are short 0: two ports are open
Diagram		
Adaptable devices	Devices or sensors which output DC voltage	Relays or Switches

### DCA's Interface

#### Power Input (DC4V~DC25V)

Inputting DC power is mandatory (non-polarity)

#### Dry Contact Inputs

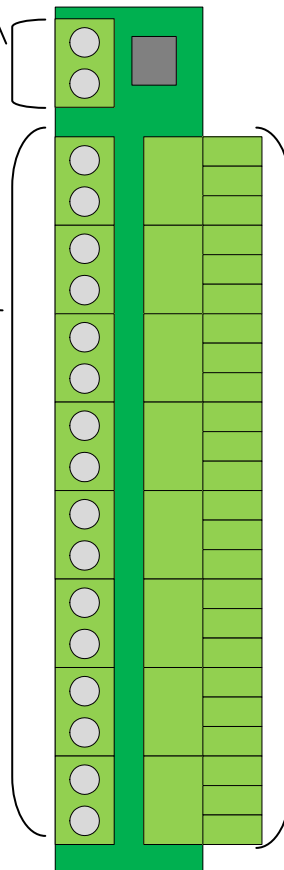
(Relays, Switches, and etc.)

#### Acceptable input resistance

Input Power	Acceptable resistance between two ports
5V	4K $\Omega$
12V	19K $\Omega$
24V	46K $\Omega$

#### Ports to connect to CIE-H10

(Connect this port to a CIE-H10's Digital Input Port after removing the old terminal block)



- **Examples**

