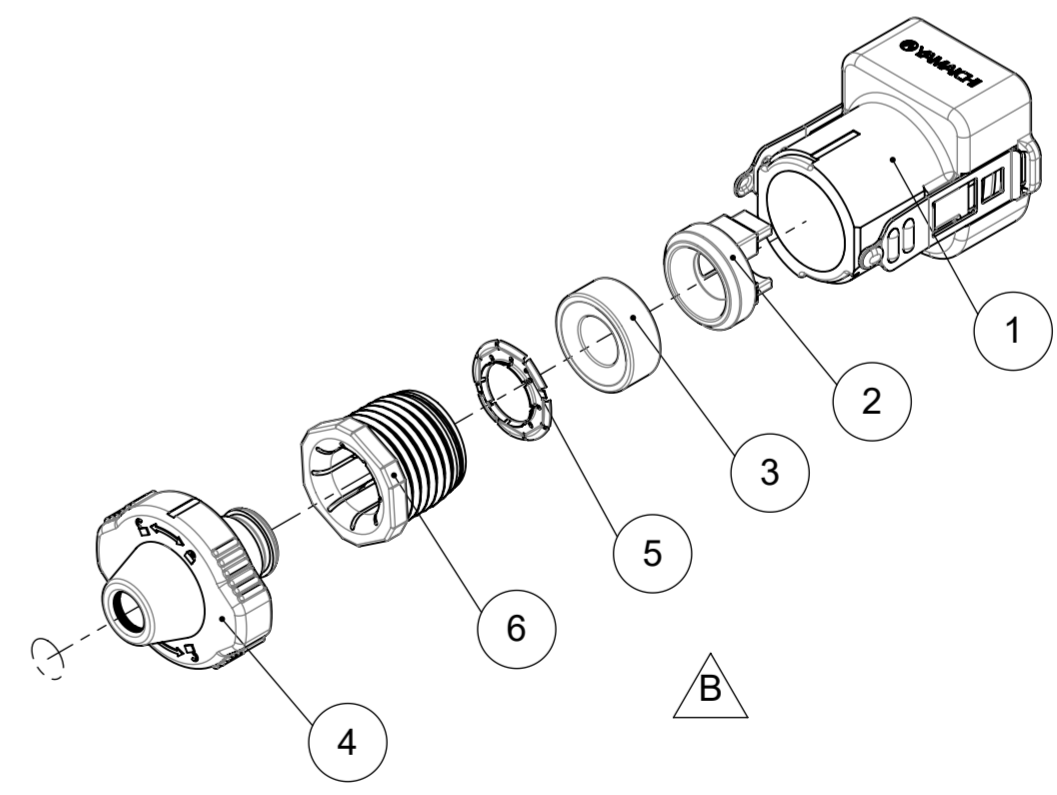
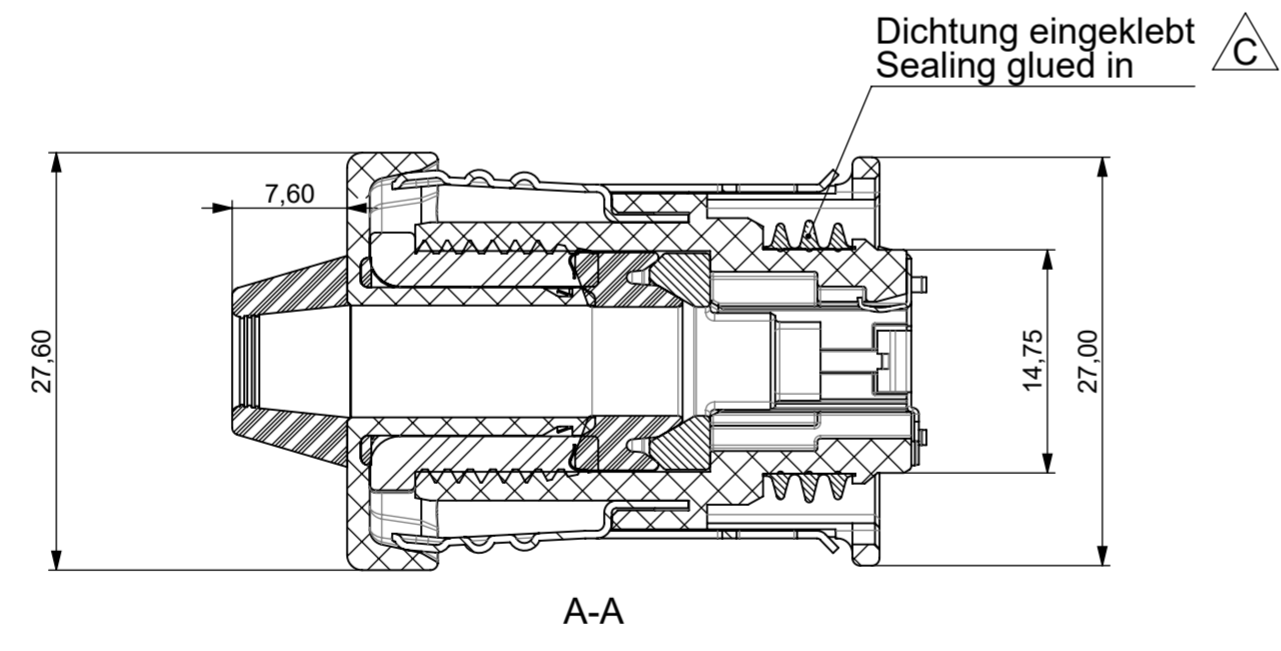
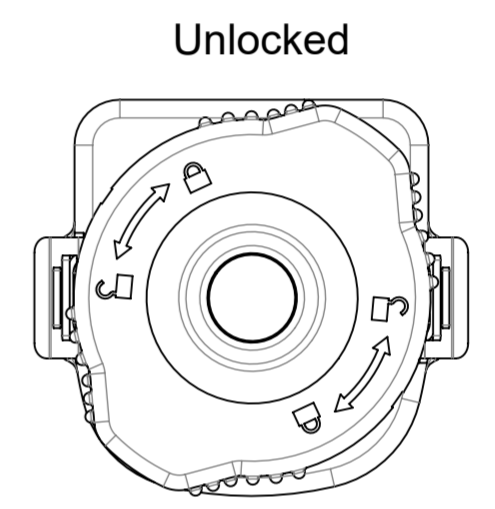
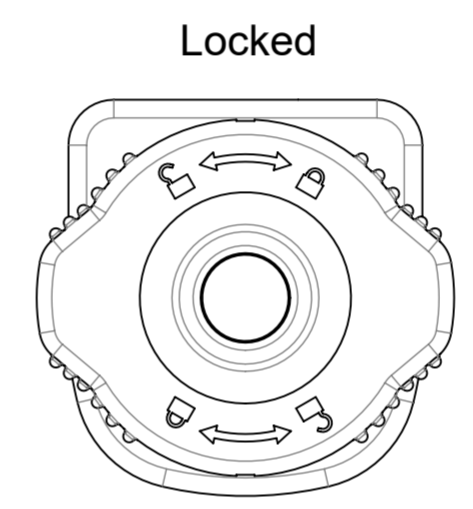
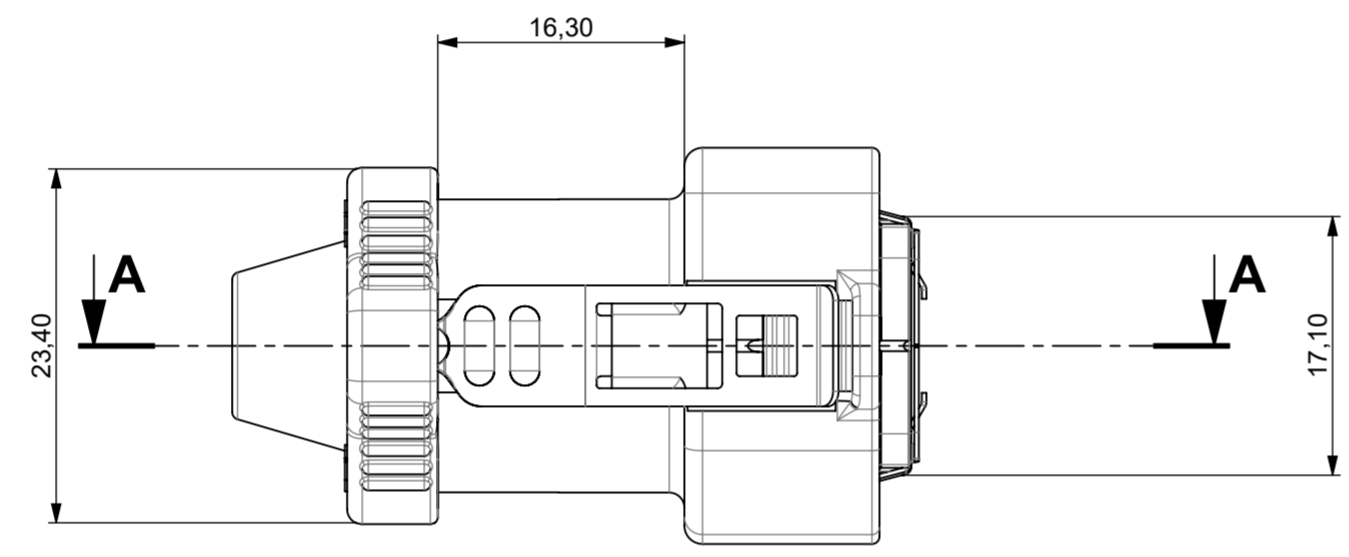
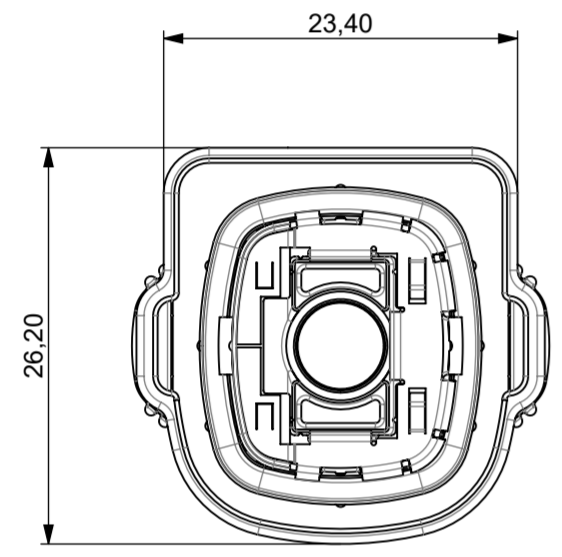
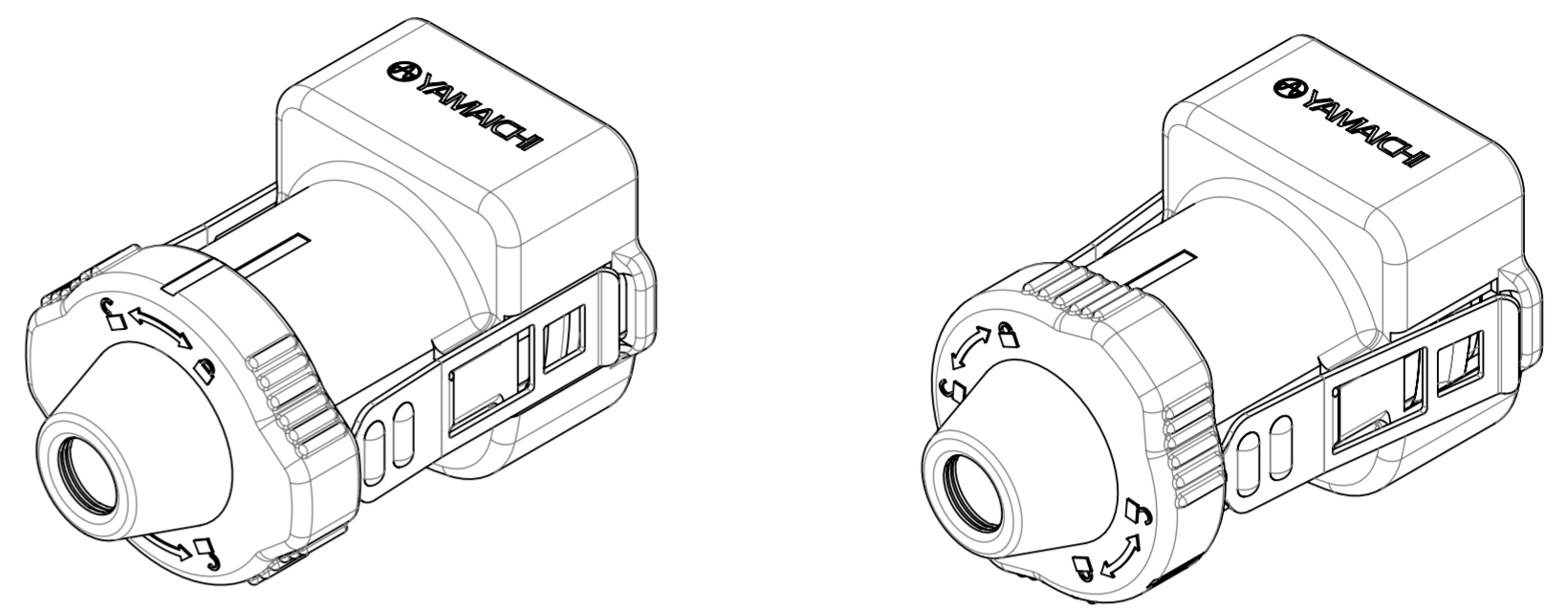
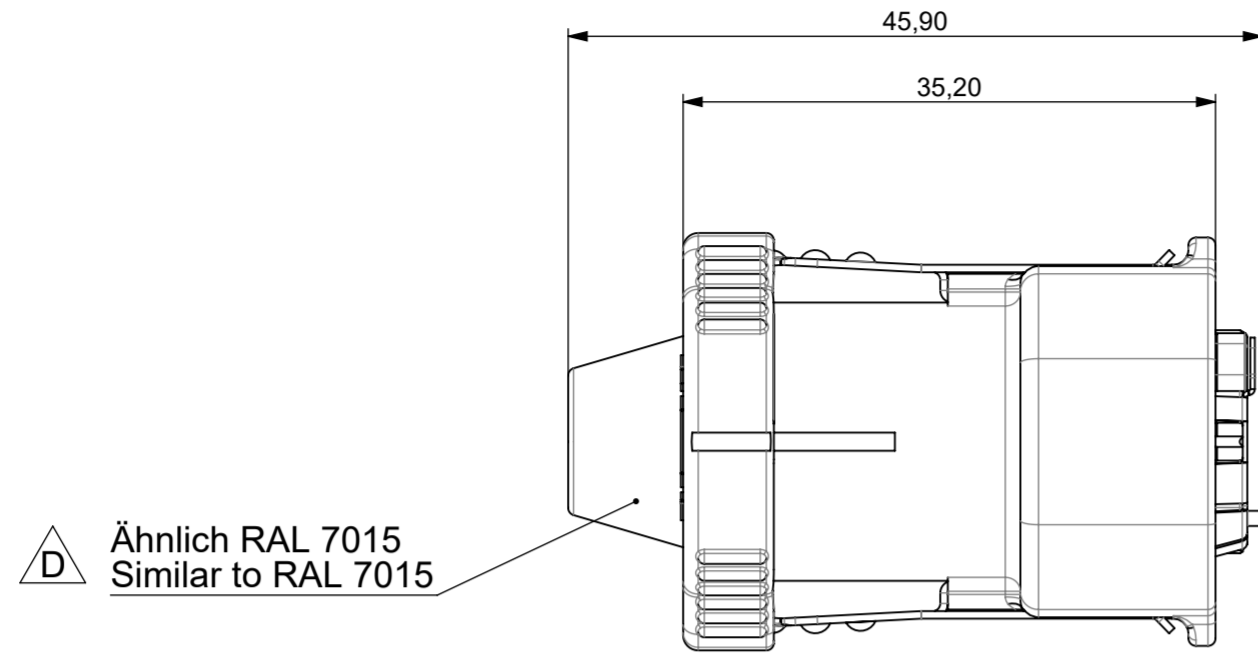


THE INFORMATION CONTAINED IN THIS DRAWING IS THE SOLE PROPERTY OF YAMAICHI ELECTRONICS DEUTSCHLAND GmbH. ANY REPRODUCTION IN PART OR WHOLE WITHOUT THE WRITTEN PERMISSION OF YAMAICHI ELECTRONICS DEUTSCHLAND GmbH IS PROHIBITED.

CONFIDENTIAL



Stücklistentabelle				
Pos.-Nr.	Benennung	ZEICHNUNGSNR.	ARTIKELNR.	MENGE
1	Y-CONCOVER-40-E-Y	P(090)A563	820-0460	1
2	Y-CON COVER-40-STOPPER (UL 94 V-0)	P(090)P642	82-00390	1
3	Y-CON COVER-40-SEAL-1-S	P(090)P857	82-00522	1
4	Y-CON COVER-40-TWIST-CAP	P(090)A405	82-00387	1
5	Y-CON COVER-40-E-W1	P1384P04	82-00556	1
6	Y-CON COVER-40-SCREW-CAP	P(090)P638	82-00388	1

Technische Daten	
Betriebstemperatur	-20°C - +120°C
Dichtung	FKM

ARTIKELNR.	ANZAHL ASSEMBLY (VPE)
82-00559	1
82-00757	200

RoHS compliant acc. to directive 2002/95/EG

Unless otherwise specified :
Dimensions are in millimeters

REV.	REVISION DESCRIPTION	INITIALS	REV. DATE
E	Table Quantity added	SSY	04.04.2016
D	RAL code added	SSY	12.05.2015
C	Sealing glued in	MGR	02.03.2015
B	Position 9 Changed	BL	14.02.2014
A	Gasket change	MEZ	08.07.2011

Order / Article No.: see table

DO NOT SCALE DRAWING

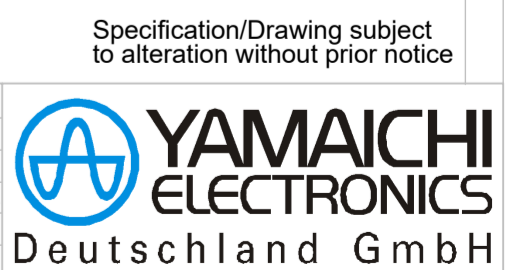
DESIGN	NAME	DATE	TITLE:
MOB	SSY	02.02.2010	IP67 Twist-lock Gehäuse für Y-ConPlug-xx, Zinkdruckguß
DRAWN	SSY	04.04.2016	Y-CON COVER-40-E
CHECKED	RA	04.04.2016	

CLASSIFICATION: Customer-P(090)A524

SCALE: 2:1 SHEET1 OF 1

WEIGHT:

REVISION: E



Specification/Drawing subject to alteration without prior notice