

1

2

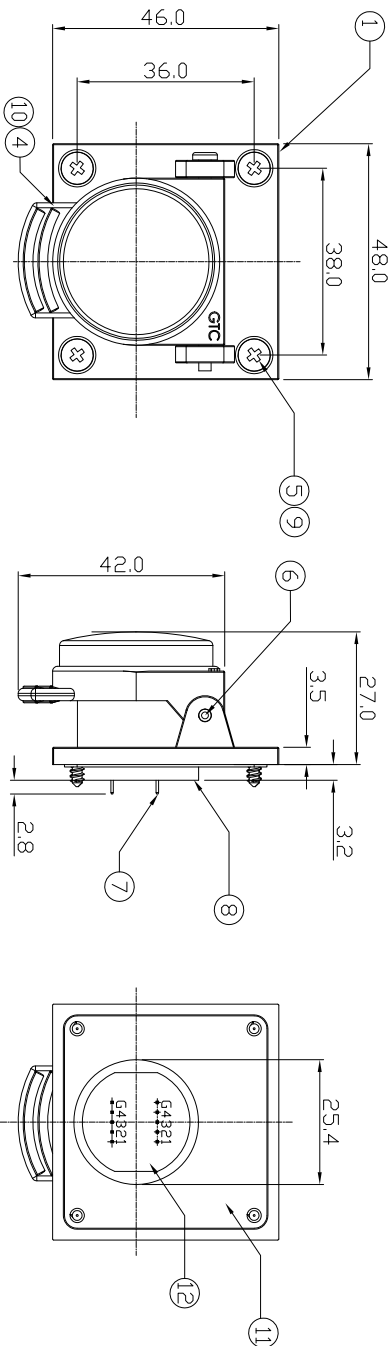
3

4

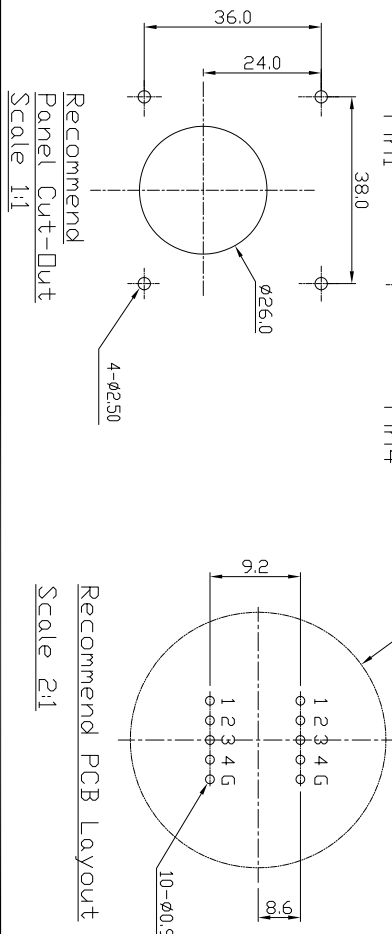
- Notes: (Unless Otherwise Specified)
1. Waterproof Rate: IP65.
 2. Recommend Panel Thickness: 0.8 to 3.0 mm.
 3. RoHS Compliant.

GTC
R&D DEPT. ISSUE
JAN.21.2014
ONLY FOR
RELEASE

12	Glue	Epoxy Color: Black	
11	Gasket	Silicone Color: Black	1
10	Rubber Pad	Silicone Color: Black	1
9	Screw Gasket	EPDM Color: Black	4
8	PCB	FR-4 Color: Green	1
7	Pin Header	Housing: Thermoplastic, Color: Black Contacts: Copper Alloy, Finish: Gold Flash	2
6	Rivet	Aluminum Finish-	1
5	Screw	Stainless(JIS-ST29) Finish-	4
4	Cap	Thermoplastic Color: Black	1
3	Spring	Stainless Finish-	1
2	USB-A Receptacle	Housing: Thermoplastic, Color: Black Contacts: Copper Alloy, Finish: Au Plated Shell: Copper Alloy, Finish: Ni Plated	2
1	Housing	Thermoplastic Color: Black	1
Item	Part Name	Material / Finish	Qty



Pin	Name	Function	Mating Cable Color
1	VBUS	+5 VDC	Red
2	D-	Data-	White
3	D+	Data+	Green
4	GND	Ground	Black
6	SHLD	Shield-Drain Wire	Bare Silver Wire



TITLE
USB-A C4 Panel Square Flange Dual-USB JACK DIP With Cap

DRAWING NUMBER
GT111443-10

REV.
01

DD NOT SCALE DRAWINGS	B	1:1	Poter 01/20/14	Roy 01/20/14	Roy 01/20/14	XX XXX	± 0.5 ± 0.2	XXXX ANGLES	± 0.05 ± 1°	mm	1/1
THIRD ANGLE PROJECTION	SIZE	SCALE	DRAW / DATE	CHECK / DATE	APPROVE / DATE	TOLERANCES	UNIT	SHEET			

GT Contact CD,LT'D

NOTICE OF PROPRIETARY PROPERTY:
THE INFORMATION CONTAINED HEREIN IS THE PROPRIETARY PROPERTY OF GT Contact CO.,LTD THE POSSESSOR ADDRESS TO THE FOLLOWING
DO NOT MAINTAIN THIS DOCUMENT IN CONFIDENCE
DO NOT TO REPRODUCE OR PUBLISH IT IN WHOLE OR PART
(C) ALL RIGHTS RESERVED

A

B

C

D

A

B

C

D

1

2

3

4