

# Wireless Momentary Rocker Switch

## AFIS Series

Energy Harvesting



### Description

The AFIS wireless momentary rocker switch provides data transfer via RF technology, eliminating the need for complex wire assemblies and increasing flexibility for use. The required energy is generated by mechanical actuation of the switch, eliminating the need for batteries.

Flexible pairing allows the operation of several switches with one receiver and vice-versa, and the switch "Unique ID" provides clear identification while operating several switches at once. Up to three telegrams are sent per actuation, with pseudo-random timing to assure robust data transmission. A compatible receiver is available.

### Features

- Small size, with high energy efficiency
- 868 MHz and 915 MHz frequency bands allow global use within different applications
- Long mechanical life

### Typical Applications

- Building Automation
- Industrial Automation
- Smart Home
- Lighting

### Technical Specifications

Operating Temperature	-40 °C to 85 °C (-40 °F to 185 °F)
Mechanical Life	Tested for up to 100,000 operations
Frequency Bands	868 MHz or 915 MHz
RF Distance (open area)	Up to 300 m (984')
RF Distance (buildings)	Up to 30 m (98')
Operating Force	8 N max
Operating Speed	0.05 to 0.25 m/s
Ingress Protection	IP40

### Products

Part Number	Description
AFIS-1003	868 MHz
AFIS-5003	915 MHz

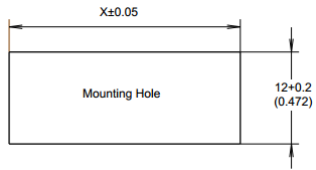
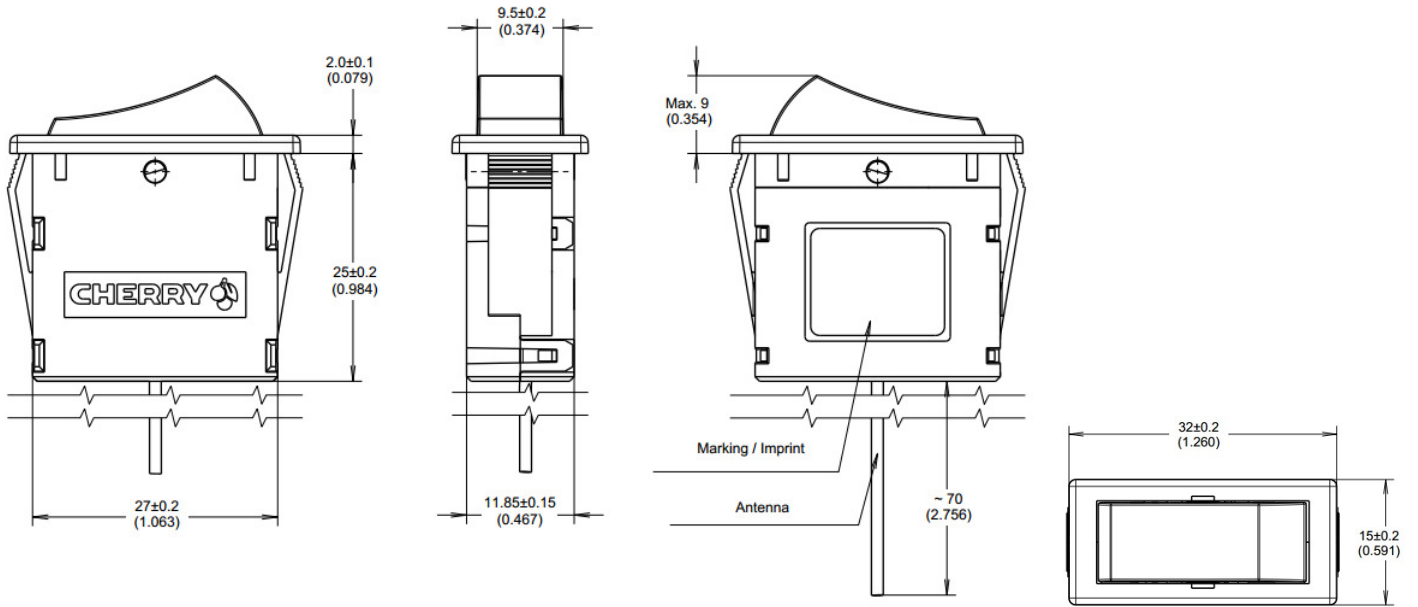
### Generator Specifications

Operating Temperature	-40 °C to 85 °C (-40 °F to 185 °F)
Mechanical Life	Up to 1,000,000 operations
Operating Force	13 N max
Energy Generated	0.33 mWs actuating and releasing

### Switch Dimensions on Reverse



# Dimensions mm (inches)



Z = Panel thickness

Dim. Z	Dim. X
1.0 (0.039) to 1.5 (0.059)	30.4 (1.197)
>1.5 (0.059) to 2.0 (0.079)	30.7 (1.209)
>2.0 (0.079) to 2.5 (0.098)	31.0 (1.220)
>2.5 (0.098) to 3.0 (0.118)	31.3 (1.232)

