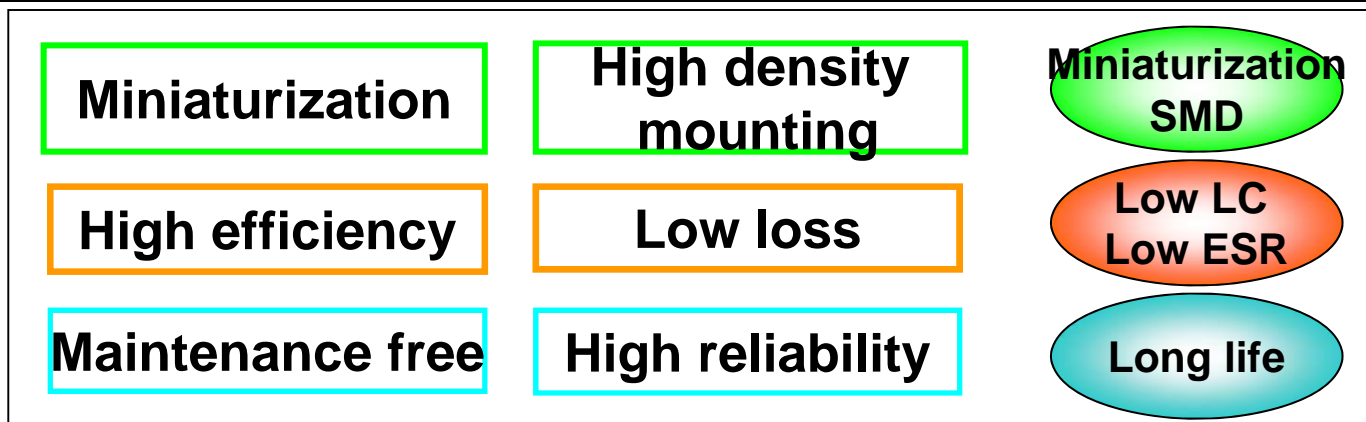


Case Study : 4-1

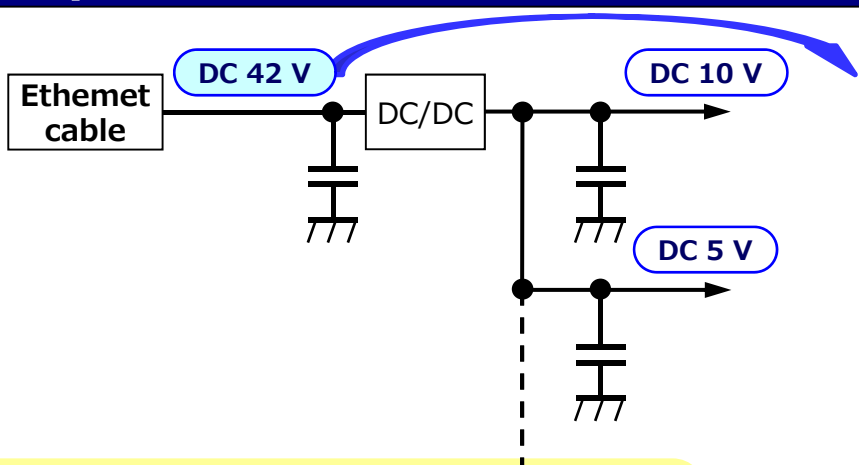
Contribution to high reliability / miniaturization / long life for power supply

◆ Panasonic proposal to server power supply circuit





Conductive polymer hybrid aluminum capacitor

◆ Proposed case : Surveillance camera



High performance/High reliability/Miniaturization
(Contribution to set SMD/miniaturization)

	DC/DC INPUT -48V Line	
Capacitors	AL capacitor	Hybrid capacitor ZA series
Item	Φ8x10.2 mm, 63V, 47μF x1 pc.  EEEFK1J470P	Φ6.3x5.8 mm, 63V, 10μF x1 pc.  EEHZA1J100P
Mounting area	100 % (69 mm ²)	64 % (44 mm ²)
Height	100 % (10.2 mm)	57 % (5.8 mm)
ESR	650 mΩ (100 kHz)	120 mΩ (100 kHz)
Endurance	105 °C, 2000 h	105 °C, 10000 h
Ripple	250 mA (100 kHz, 105 °C)	1000 mA (100 kHz, 105 °C)